



Prologue®

Top-mount/undermount double-equal kitchen sink
K-31465-1

Features

- 36" (914 mm) minimum base cabinet width.
- Double-equal bowls.
- 9" (229 mm) depth provides generous workspace.
- Rounded 0.98" (25 mm) corners are easy to clean.
- Single faucet hole.
- Optional K-31472 bottom sink rack (sold separately).

Material

- Premium 18-gauge stainless steel.
- KOHLER stainless steel sinks resist corrosion and tarnishing.

Installation

- Top-mount or undermount.

Recommended Products/Accessories

- K-8801 Sink drain and strainer with tailpiece
- K-8799 Sink drain and strainer basket
- K-23726 Drain treatment
- K-23729 Stainless steel cleaner
- K-31472 Sink rack

Optional Products/Accessories

- K-11352 Disposal Flange with Stopper

Included Components

- Additional Components:
Installation hardware

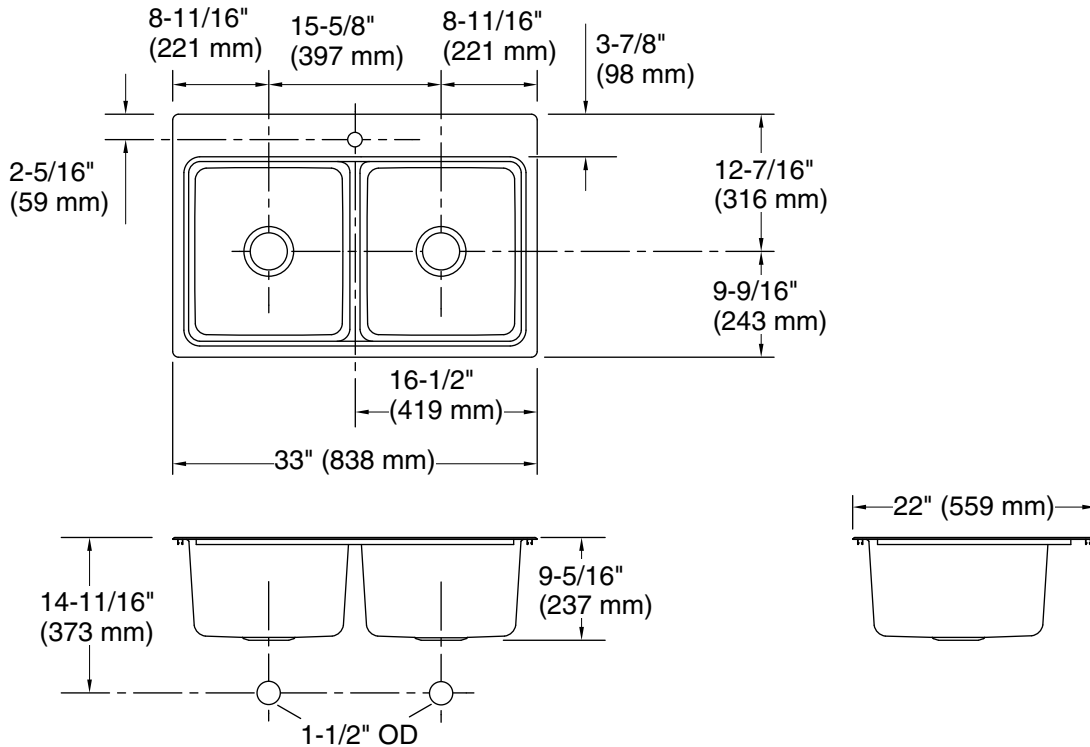


Codes/Standards

ASME A112.19.3/CSA B45.4

KOHLER® Stainless Steel Sinks Lifetime Limited Warranty

See website for detailed warranty information.



Technical Information

All product dimensions are nominal.

Bowl configuration:	Double equal
Installation:	Top-mount, Undermount
Min. base cabinet width:	36" (914 mm)
Bowl area (Left):	Length: 14-3/8" (365 mm) Width: 16-1/8" (410 mm) Bowl depth: 9" (229 mm) Water depth: 9" (229 mm)
Bowl area (Right):	Length: 14-3/8" (365 mm) Width: 16-1/8" (410 mm) Bowl depth: 9" (229 mm) Water depth: 9" (229 mm)
With overflow:	No
Number of deck holes:	1
Faucet hole(s):	1-7/16" (37 mm)
Drain hole:	3-5/8" (92 mm)
Template:	Top-mount/Undermount, 1442591-7, required, included

Notes

Install this product according to the installation instructions.